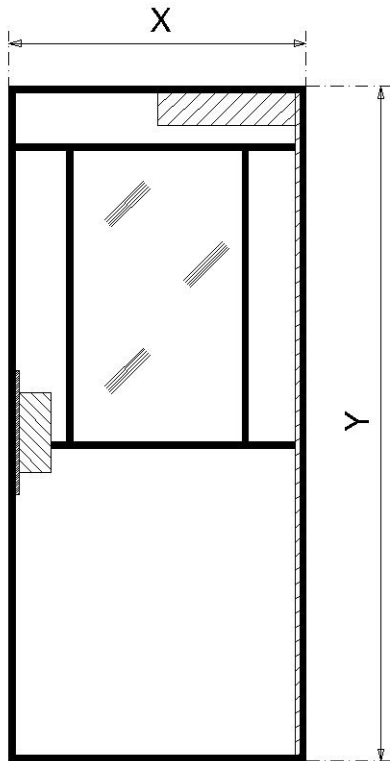




Kupan door program

Type: Standard / Populair



Kupan door type: Standard / Populair.
Synthetic door with waterproof honeycomb.

Specification:

- Flush doors: Door closes flush in a doorframe.
- Rebated doors: Door closes against the doorframe, groove on both length- and topside. Cut-out in grey impact resistant polystyrene edge finish.
- Sliding door: Door slides along by a rail.

Shape, dimension, weight:

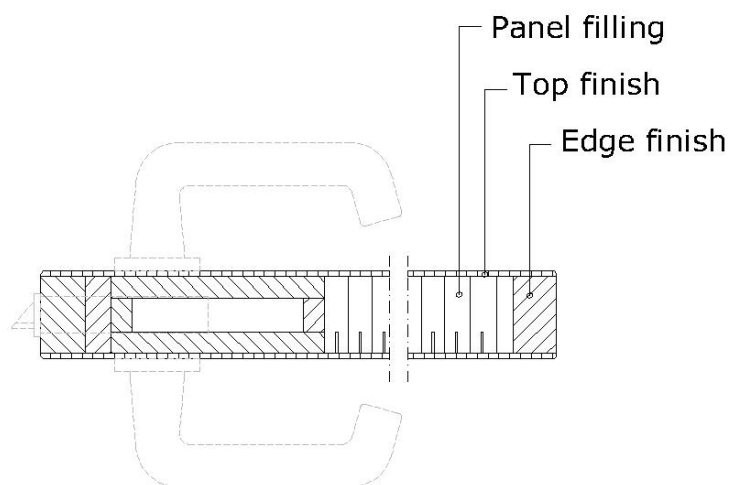
- Shape: See illustration, doors with an rectangular or round window opening.
- Dimensions:
 - Height : 2.015, 2.115 en 2.150 mm.*
 - Width : 630, 680, 730, 780 en 880 mm.*
 - Thickness : 41 mm.
- *Other dimensions possible.
- weight ± 18 kg standard door (glass, extra reinforcements and accessories not included).

Required materials:

Panel filling	: Water resistant honeycomb.
Top finish	: 2.5 mm. thick HPL-melamine resin sheet.
Edge finish	: 20 mm grey impact resistant polystyrene.

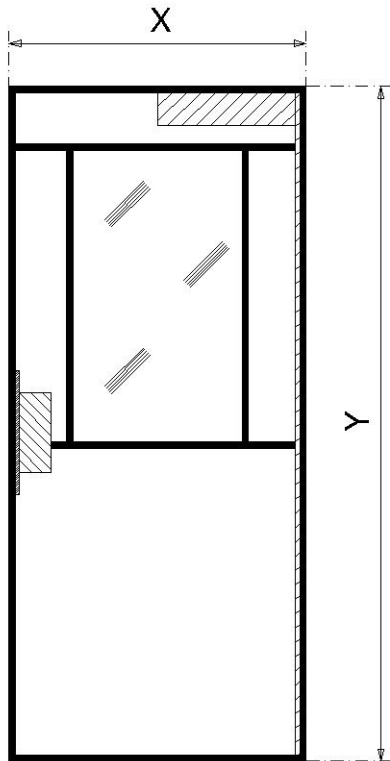
Options:

- Hinges.
- Paumelles.
- Double acting spring hinges.
- Day- and night lock.
- Latch bolt- and cylinder lock.
- Multiple closing point lock.
- Electronic locks.
- Anti draft profile.
- Aluminium door needle.
- Shields and door handles.
- Automatic door seal.
- Kick plates.
- Glass, single or gas filled.
- Ventilation grid.
- Door closers outside fixed or integrated.
- Logo's.
- Engravings.
- Aluminium door frame.
- Sliding door rail cover, rail included.





Kupan door program Type: HD High Density



Kupan door type: HD High Density.
Synthetic door with small cell Water resistant honeycomb, both sides with 1 mm impact resistant layer.

Specification:

- Flush doors: Door closes flush in a doorframe.
- Rebated doors: Door closes against the doorframe, groove on both length- and topside. Cut-out in grey impact resistant polystyrene edge finish.
- Sliding door: Door slides along by a rail.

Shape, dimension, weight:

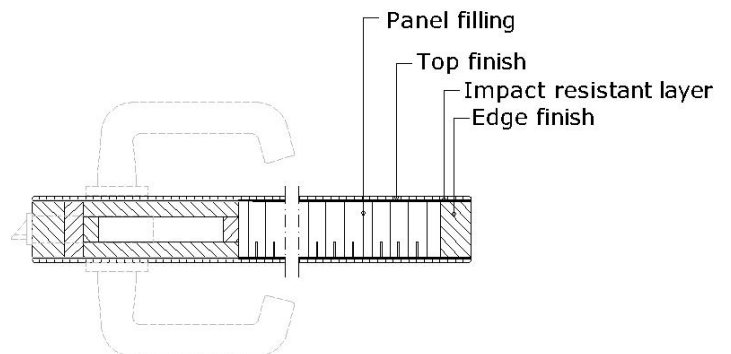
- Shape: See illustration, doors with an rectangular or round window opening.
- Dimensions:
 - Height : 2.015, 2.115 en 2.150 mm.*
 - Width : 630, 680, 730, 780 en 880 mm.*
 - Thickness : 43 mm
- *Other dimensions possible.
- weight ± 20 kg standard door (glass, extra reinforcements and accessories not included).

Required materials:

Panel filling	: Water resistant honeycomb.
Top finish	: 2.5 mm. thick HPL-melamine resin sheet.
Impact resistant layer	: Both sides 1 mm thick polystyrene.
Edge finish	: 20 mm grey impact resistant polystyrene.

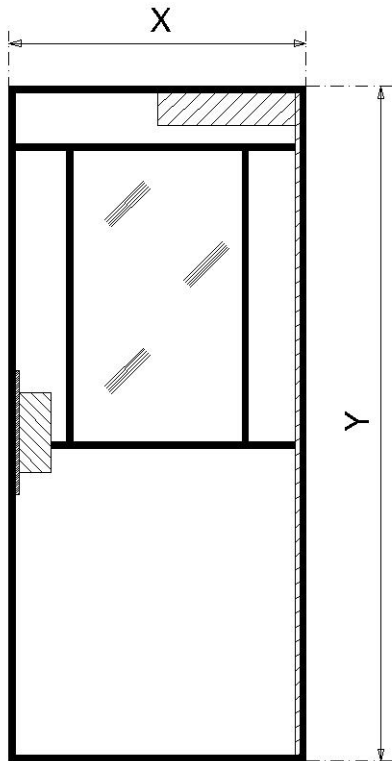
Options:

- Hinges.
- Paumelles.
- Double acting spring hinges.
- Day- and night lock.
- Latch bolt- and cylinder lock.
- Multiple closing point lock.
- Electronic locks.
- Anti draft profile.
- Aluminium door needle.
- Shields and door handles.
- Automatic door seal.
- Kick plates.
- Glass, single or gas filled.
- Ventilation grid.
- Door closers outside fixed or integrated.
- Logo's.
- Engravings.
- Aluminium door frame.
- Sliding door rail cover, rail included.





Kupan door program Type: De Luxe



Kupan door type: De Luxe.

Synthetic door with polystyrene section filling, covering the edge finish.

Specification:

- Flush doors: Door closes flush in a doorframe.
- Rebated doors: Door closes against the doorframe, groove on both length- and topside. Cut-out in grey impact resistant polystyrene edge finish.
- Sliding door: Door slides along by a rail.

Shape, dimension, weight:

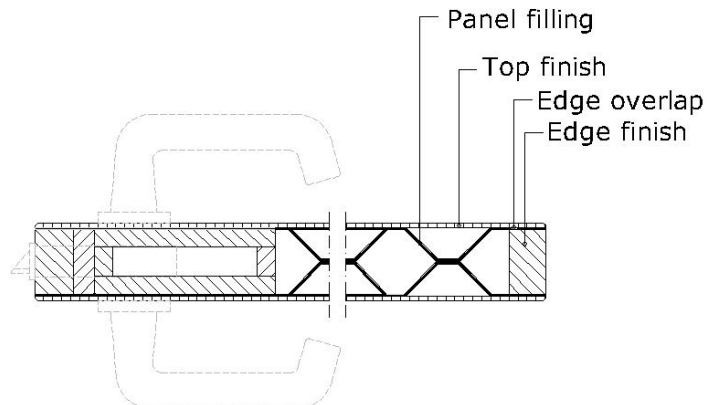
- Shape: See illustration, doors with an rectangular or round window opening.
- Dimensions:
 - Height : 2.015, 2.115 en 2.150 mm.*
 - Width : 630, 680, 730, 780 en 880 mm.*
 - Thickness : 43 mm.
- *Other dimensions possible.
- weight ± 20 kg standard door (glass, extra reinforcements and accessories not included).

Required materials:

- | | |
|---------------|--|
| Panel filling | : Polystyrene deep-drawn section filling. |
| Top finish | : 2.5 mm. thick HPL-melamine resin sheet. |
| Edge overlap | : Both sides 1 mm thick polystyrene. |
| Edge finish | : 20 mm grey impact resistant polystyrene. |

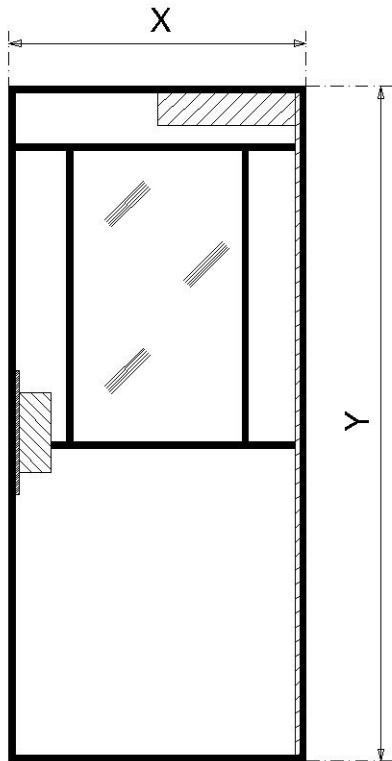
Options:

- Hinges.
- Paumelles.
- Double acting spring hinges.
- Day- and night lock.
- Latch bolt- and cylinder lock.
- Multiple closing point lock.
- Electronic locks.
- Anti draft profile.
- Aluminium door needle.
- Shields and door handles.
- Automatic door seal.
- Kick plates.
- Glass, single or gas filled.
- Ventilation grid.
- Door closers outside fixed or integrated.
- Logo's.
- Engravings.
- Aluminium door frame.
- Sliding door rail cover, rail included.





Kupan door program Type: De Luxe GSK



Kupan door type: De Luxe GSK.

Synthetic door with polystyrene section filling, covering the edge finish.

Specification:

- Flush doors: Door closes flush in a doorframe.
- Lipped doors: Door closes against the doorframe, groove on both along- and topside. Cut-out in grey impact resistant polystyrene edge finish.
- Sliding door: Door slides along by a rail.

Shape, dimension, weight:

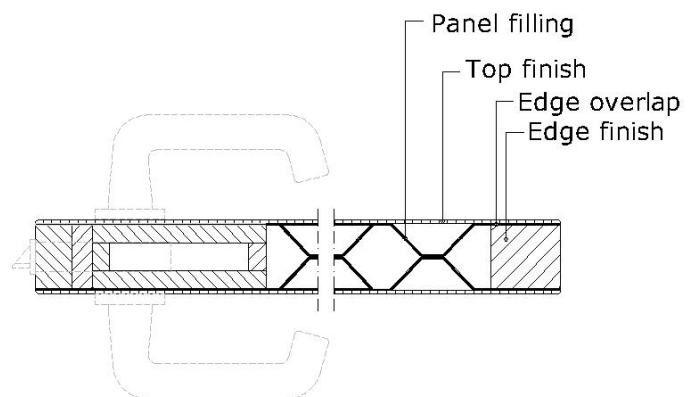
- Shape: See illustration, doors with an rectangular or round window opening.
- Dimensions:
 - Height : 2.015, 2.115 en 2.150 mm.*
 - Width : 630, 680, 730, 780 en 880 mm.*
 - Thickness : 43 mm.
- *Different dimensions possible.
- weight ± 20 kg standard door (glass, extra reinforcements and accessories not included).

Required materials:

Panel filling	: Polystyrene deep-drawn section filling.
Top finish	: 2.5 mm. thick HPL-melamine resin sheet.
Edge overlap	: Both sides 1 mm thick polystyrene.
Edge finish	: 40 mm grey impact resistant polystyrene.

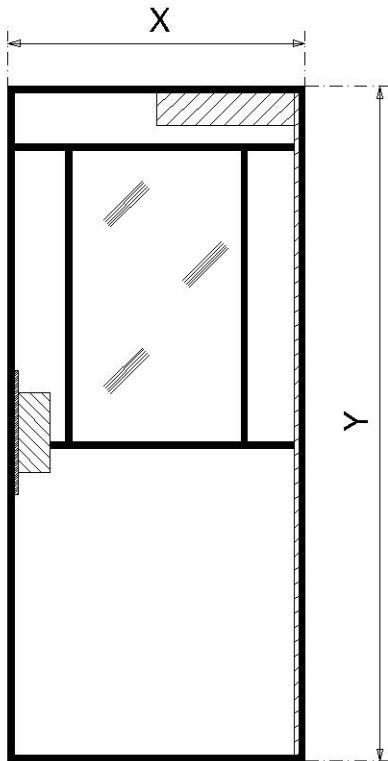
Options:

- Hinges.
- Paumelles.
- Double acting spring hinges.
- Day- and night lock.
- Latch bolt- and cylinder lock.
- Multiple closing point lock.
- Electronic locks.
- Anti draft profile.
- Aluminium door needle.
- Shields and door handles.
- Automatic door seal.
- Kick plates.
- Glass, single or gas filled.
- Ventilation grid.
- Door closers outside fixed or integrated.
- Logo's.
- Engravings.
- Aluminium door frame.
- Sliding door rail cover, rail included.





Kupan door program Type: De Luxe HD



Kupan door type: De Luxe HD.

Synthetic door with polystyrene section filling, between the edge finish, on top a dual sided 1 mm impact resistant layer.

Specification:

- Flush doors: Door closes flush in a doorframe.
- Rebated doors: Door closes against the doorframe, groove on both length- and topside. Cut-out in grey impact resistant
- polystyrene edge finish.
- Sliding door: Door slides along by a rail.

Shape, dimension, weight:

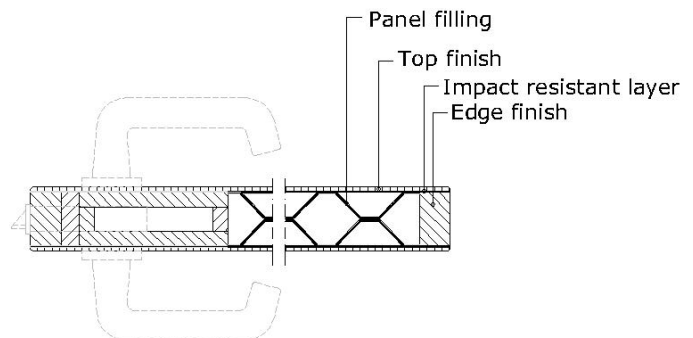
- Shape: See illustration, doors with an rectangular or round window opening.
- Dimensions:
 - Height : 2.015, 2.115 en 2.150 mm.*
 - Width : 630, 680, 730, 780 en 880 mm.*
 - Thickness : 43 mm.
- *Other dimensions possible.
- weight ± 20 kg standard door (glass, extra reinforcements and accessories not included).

Required materials:

Panel filling	: Polystyrene deep-drawn section filling.
Top finish	: 2.5 mm. thick HPL-melamine resin sheet.
Impact resistant layer:	Both sides 1 mm thick polystyrene.
Edge finish	: 20 mm grey impact resistant polystyrene.

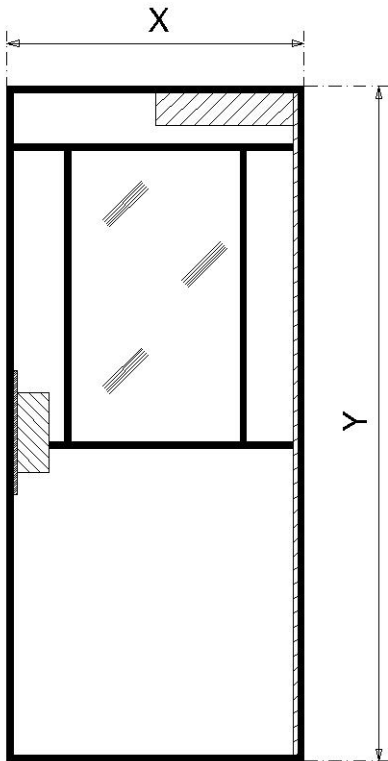
Options:

- Hinges.
- Paumelles.
- Double acting spring hinges.
- Day- and night lock.
- Latch bolt- and cylinder lock.
- Multiple closing point lock.
- Electronic locks.
- Anti draft profile.
- Aluminium door needle.
- Shields and door handles.
- Automatic door seal.
- Kick plates.
- Glass, single or gas filled.
- Ventilation grid.
- Door closers outside fix or integrated.
- Logo's.
- Engravings.
- Aluminium door frame.
- Sliding door rail cover, rail included.





Kupan door program Type: NFS Non Fire Support



Kupan door type: NFS Non Fire Support.
Synthetic door with Fire Retardant honeycomb and Fire Retardant HPL B-1.

Specification:

- Flush doors: Door closes flush in a doorframe.
- Lipped doors: Door closes against the doorframe, groove on both along- and topside. Cut-out in Fire Retardant HPL B-1 edge finish.
- Sliding door: Door slides along by a rail.

Shape, dimension, weight:

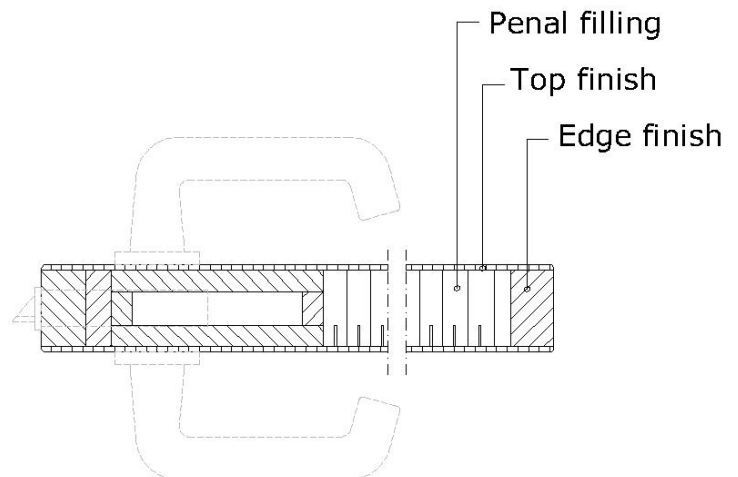
- Shape: See illustration, doors with an rectangular or round window opening.
- Dimensions:
 - Height : 2.015, 2.115 en 2.150 mm.*
 - Width : 630, 680, 730, 780 en 880 mm.*
 - Thickness : 41 mm.
- *Different dimensions possible.
- weight ± 20 kg standard door (glass, extra reinforcements and accessories not included).

Required materials:

Panel filling	: Fire Retardant honeycomb.
Top finish	: 2.5 mm. thick fire Retardant HPL B-1.
Edge finish	: 20 mm Fire Retardant HPL B-1.
Lock casing	: Fire Retardant HPL B-1.
Reinforcements	: Fire Retardant HPL B-1.

Options:

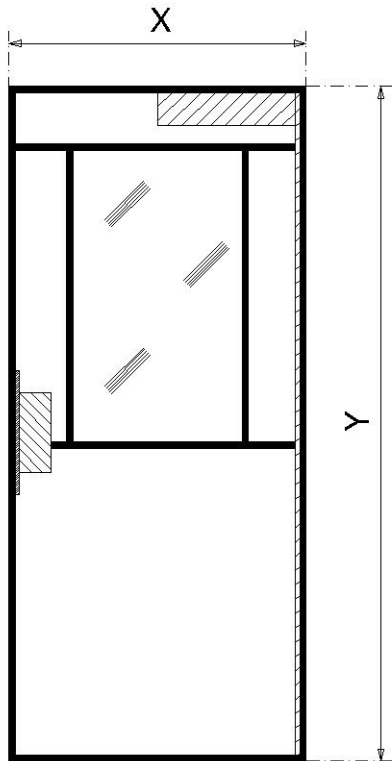
- Hinges.
- Paumelles.
- Double acting spring hinges.
- Day- and night lock.
- Latch bolt- and cylinder lock.
- Multiple closing point lock.
- Electronic locks.
- Anti draft profile.
- Aluminium door needle.
- Shields and door handles.
- Automatic door seal.
- Kick plates.
- Glass, single or gas filled.
- Ventilation grid.
- Door closers outside fixed or integrated.
- Logo's.
- Engravings.
- Aluminium door frame.
- Sliding door rail cover, rail included.





Kupan door program

Type: NFS-NO Non Fire Support Non Organic



Kupan door type: NFS-NO Non Fire Support Non Organic.
Synthetic door with aluminium honeycomb filling.

Specification:

- Flush doors: Door closes flush in a doorframe.
- Rebated doors: Door closes against the doorframe, groove on both length- and topside. Cut-out in grey impact resistant polystyrene edge finish.
- Sliding door: Door slides along by a rail.

Shape, dimension, weight:

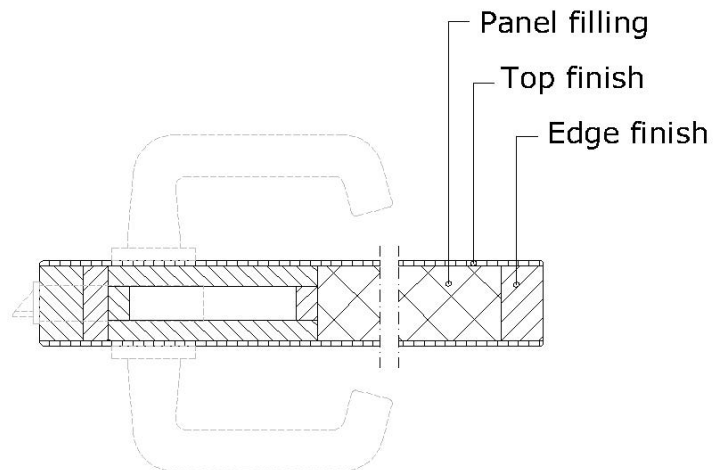
- Shape: See illustration, doors with an rectangular or round window opening.
- Dimensions:
 - Height : 2.015, 2.115 en 2.150 mm.*
 - Width : 630, 680, 730, 780 en 880 mm.*
 - Thickness : 41 mm.
- *Other dimensions possible.
- weight ± 20 kg standard door
(glass, extra reinforcements and accessories not included).

Required materials:

Panel filling	: Aluminium honeycomb.
Top finish	: 2.5 mm. thick Fire Retardant HPL B-1.
Edge finish	: 20 mm Fire Retardant HPL B-1.
Lock casing	: Fire Retardant HPL B-1.
Reinforcements	: Fire Retardant HPL B-1.

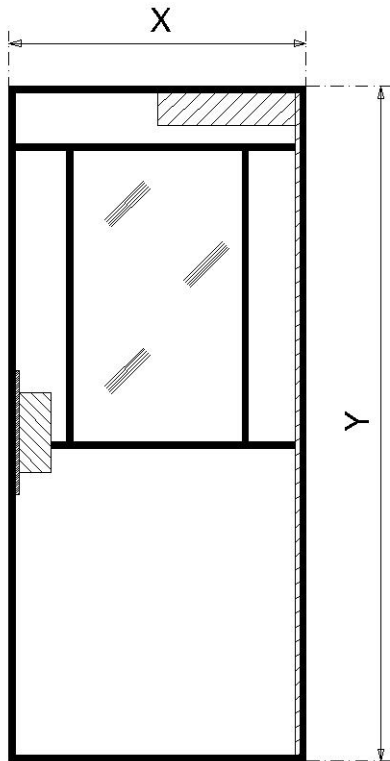
Options:

- Hinges.
- Paumelles.
- Double acting spring hinges.
- Day- and night lock.
- Latch bolt- and cylinder lock.
- Multiple closing point lock.
- Electronic locks.
- Anti draft profile.
- Aluminium door needle.
- Shields and door handles.
- Automatic door seal.
- Kick plates.
- Glass, single or gas filled.
- Ventilation grid.
- Door closers outside fixed or integrated.
- Logo's.
- Engravings.
- Aluminium door frame.
- Sliding door rail cover, rail included.



Kupan door program

Type: NFS-NO Non Fire Support Non Organic GSK



Kupan door type: NFS-NO Non Fire Support Non Organic.
Synthetic door with aluminium honeycomb filling.

Specification:

- Flush doors: Door closes flush in a doorframe.
- Rebated doors: Door closes against the doorframe, groove on both length- and topside. Cut-out in grey impact resistant polystyrene edge finish.
- Sliding door: Door slides along by a rail.

Shape, dimension, weight:

- Shape: See illustration, doors with an rectangular or round window opening.
- Dimensions:
 - Height : 2.015, 2.115 en 2.150 mm.*
 - Width : 630, 680, 730, 780 en 880 mm.*
 - Thickness : 41 mm.
- *Other dimensions possible.
- weight ± 20 kg standard door
(glass, extra reinforcements and accessories not included).

Required materials:

Panel filling	: Aluminium honeycomb.
Top finish	: 2.5 mm. thick Fire Retardant HPL B-1.
Edge finish	: 40 mm Fire Retardant HPL B-1.
Lock casing	: Fire Retardant HPL B-1.
Reinforcements	: Fire Retardant HPL B-1.

Options:

- Hinges.
- Paumelles.
- Double acting spring hinges.
- Day- and night lock.
- Latch bolt- and cylinder lock.
- Multiple closing point lock.
- Electronic locks.
- Anti draft profile.
- Aluminium door needle.
- Shields and door handles.
- Automatic door seal.
- Kick plates.
- Glass, single or gas filled.
- Ventilation grid.
- Door closers outside fix or integrated.
- Logo's.
- Engravings.
- Aluminium door frame.
- Sliding door rail cover, rail included.

