



TRIPOD TURNSTILE MF



Description:

Tripod Turnstile MF is a complete, compact access control point. It combines rotating barrier, entrance and exit control with wristband capture option for Metra LCC NET MF tickets. Because everything is integrated in a single housing, it reduces required space for passage.

For exit control a patented Metra **Wristband Capturer** can be used (built in). The storage drawer for captured wristbands is incorporated in the housing that is a combination of brushed finish stainless steel body and synthetic reinforced rosin cover. Fluent pedestrian passage is achieved by combination of visual LED and audio signalization, proximity sensors that detect direction or possible misuse and motor driven rotating barriers. The drive was designed and proven to prevent any injury but is tough enough to withstand misuse at the same time. The barriers can be equipped with a special breaking fuse (mechanical) for the case of panic.

Tripod Turnstile MF operates on-line with Metra LCC NET MF software. It must be connected to Metra network. When wristband is presented access rights are checked in the Metra database. If valid, the unit drives its rotating barrier in desired direction.

Passage on Tripod Turnstile MF for a particular ticket can also be externally controlled by 3rd party SW via TCP/IP software interface. Operating parameters are defined in the Metra LCC NET MF software. Event data from device is used for further analyses with Metra LCC NET MF software.

- **Check point for Metra LCC NET MF Tickets**
- **Access control unit for swimming pools, sport facilities and similar**
- **Ticket capture option with built in patented Wristband Capturer**
- **Bi-directional passages with motor driven rotating barriers**
- **Metra NET component; passage for particular ticket can be authorised externally via TCP/IP software interface**
- **Stainless steel housing with ticket container**
- **Audio and visual (LED) signalisation, proximity sensors**
- **Mechanical panic fuse on all barriers is possible**
- **Operating parameters defined in software**

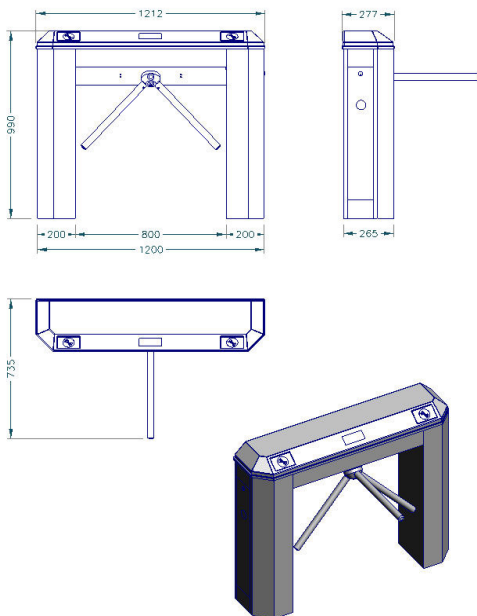
What is ticket capture feature?

This feature enables automatic capture of Metra LCC NET MF wristbands upon guests departure from the controlled area. This speeds up guests departure and cuts costs of the system operation by reducing workload of the personnel.

For this feature Metra has developed and holds patent for Metra **Wristband Capturer** together with Metra contact-less **Wristband**.

Presented wristband will be captured by the device under the following conditions:

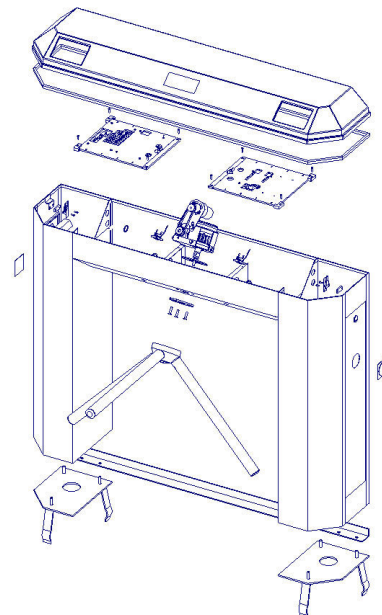
- The wristband has the capture check engine issued to it.
 - No other parameter (unsettled payments, unreleased locker,...) is limiting exit on this device
- The device grants exit through passage mechanism only if the wristband is successfully captured.



Technical data:

- Audio and visual (LED) signals
- Mifare RFID tickets supported (see order codes). Readers integrated on each side
- Ticket capture function by optional Wristband Capturer
- Motorized tripod barrier. Absolute position magnetic sensor
- CAN network

- 24 V DC power input (peak current max. 2,5 A)
- Tamper alarm
- Proximity sensors to activate barrier motor.
- Two additional pushbutton inputs to remotely activate passage in each direction
- Measures in mm (w/h/l): 265 / 990 / 1210
- Floor Anchor (to be built in the floor)



How to order?

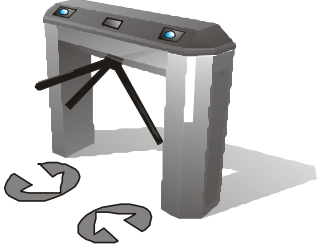
ORDER CODES for Tripod Turnstile :

1	2	3	4
EL	TT	MF RMF	MF (-)

Notes:

- If only one reader/Wristband Capturer is specified in order code its default position is left side. It can be later on site easily moved to the right side if needed.
- Only one Wristband Capturer can be specified.
- Reader or Wristband Capturer can be easily interchanged or moved from left to right side (or vice versa) on site.

Left side Right side



Column 1:
EL.... Supports standard RFID Tickets

Column 2:
TT... Tripod turnstile

Column 3:
Describes the type of the ticket reader for **Left** side of the Tripod Turnstile.

Column 4:
Describes the type of the ticket reader for **Right** side of the Tripod Turnstile.

MF	Mifare reader. Reads all ISO14443 A/B compatible RFID Tags.
RMF	Wristband Capturer with Mifare reader. Reads and captures Metra Wristbands with integrated ISO14443 A/B compatible RFID Tags.
-	Empty - no reader, one direction only.

EXAMPLES:

ELTTMFMF: Both sides Mifare reader, no capturer.
ELTTRMF: Left side Mifare wristband capturer, right side empty.
ELTTRMFMF: Left side Mifare wristband capturer, right side Mifare reader.

ORDER CODES Accessories:

Power Supply



ORDER CODE:
SA000348

Technical specifications:

Input: 110 –230 V AC /100VA
Output: 24 V DC / 3,2 A

Pair of Anchors



**ORDER CODE:
XLTT_ANCH**

Spacers for Anchors



**ORDER CODE:
SLTT_SPACE**

Panic Fuse



**ORDER CODE:
EB000334**